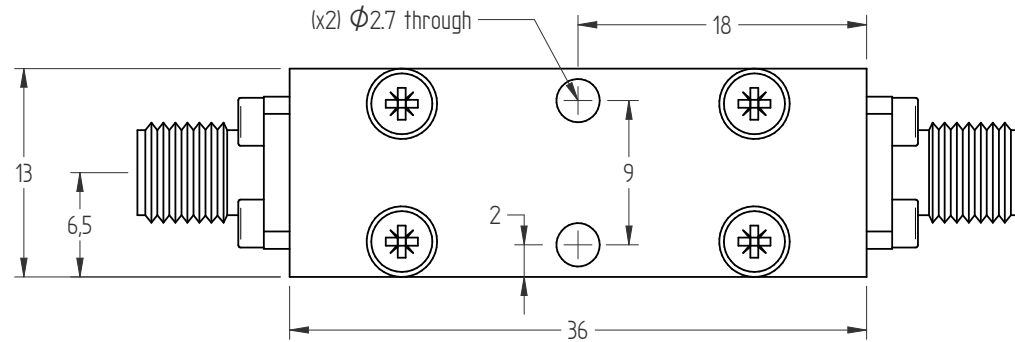
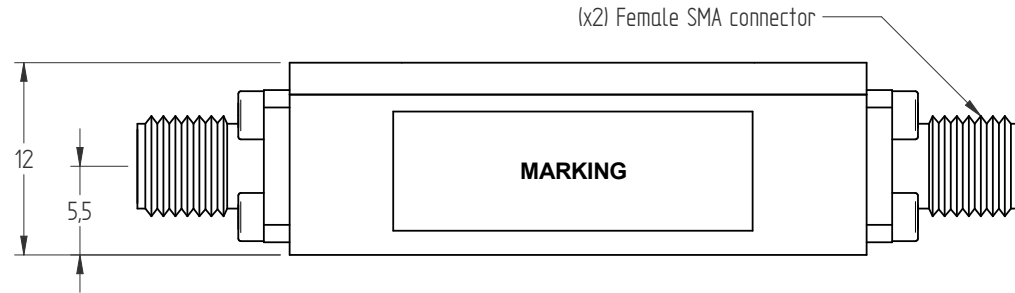
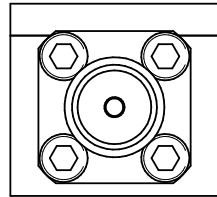
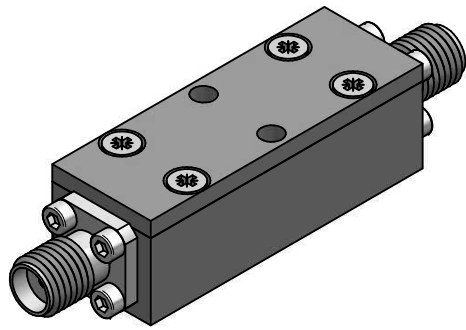


This document is subject to change without notice. This document is the exclusive property of DÉTI SAS and cannot be communicated to third parties or reproduced without prior written permission.



TECHNICAL SPECIFICATIONS

Frequency Range :	DC - 8000 MHz
Insertion Loss :	1.0 dB max.
VSWR :	1.5 :1 max.
Rejection :	40 dB min. 12 - 24 GHz
Power handling :	2 W CW
Operating Temperature :	-40°C to +85°C
Storage Temperature :	-55°C to +125°C

Last rev. additional information :					Material : Aluminum		Titre : Filtre passe-bas DC - 8 GHz	
					Treatment : Silver plated		Titre : Low Pass Filter DC - 8 GHz	
					Finish : -		Comment : LPF-SS-8000-12000-24000-40-SF-SF	
					Gen. Tol. : ISO2768mK		Document Number : LPF-SS-8000-12000-24000-40-SF-SF	
					Orientation :		Drawn : smellaza	
Initial draft			S. Mellaza 21/01/2020		A. Le Gouellec 21/01/2020		Date : 21/01/2020	
Rev.	Change	Drawn	Date	Check	Date	Approb.	Date	
Size : A3		Scale : 3:1		Classif. : 2		Sheet : 1 / 1		

