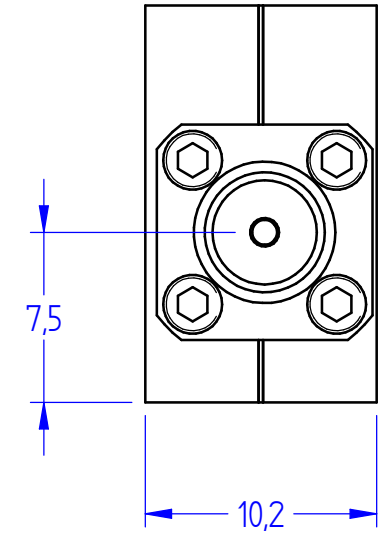
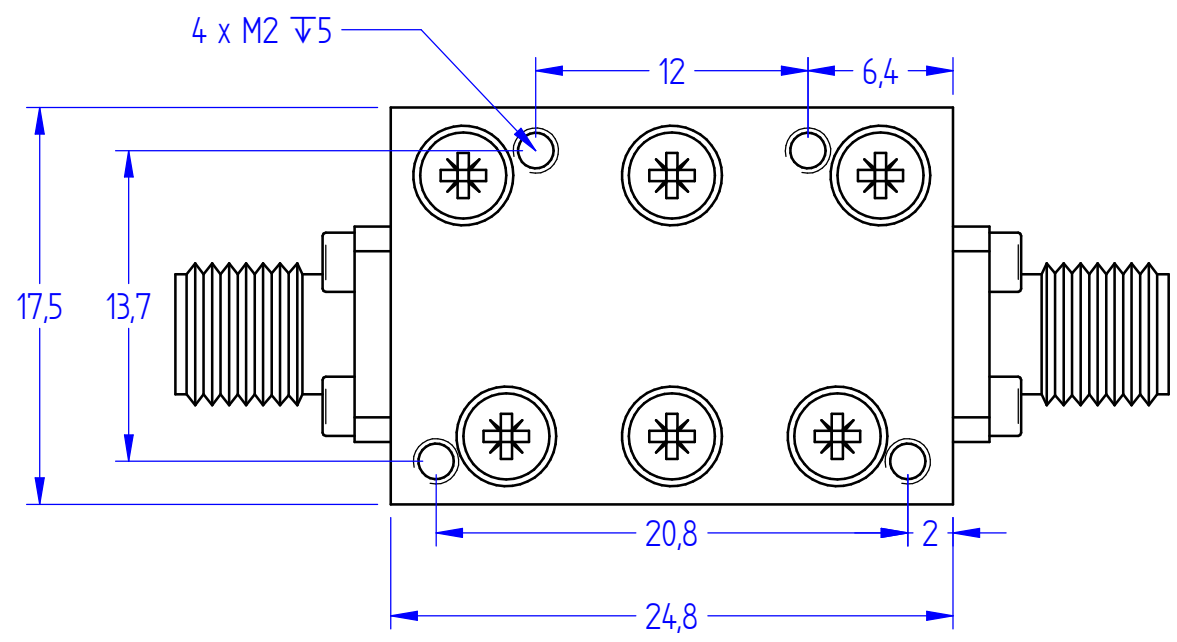
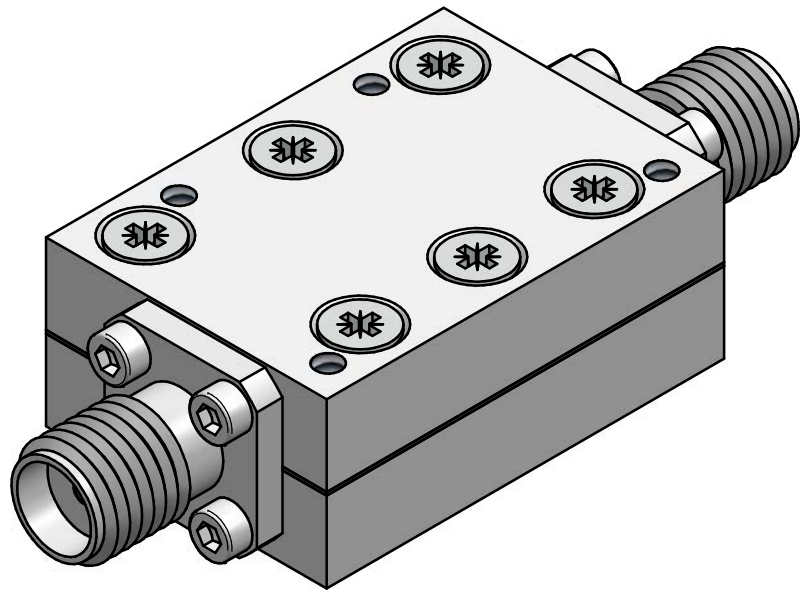


This document is subject to change without notice
This document is the exclusive property of DÉTI SAS and cannot be communicated to third parties or reproduced without prior written permission



TECHNICAL SPECIFICATIONS

Frequency Range : 2000 - 18000 MHz

Insertion Loss :
 < 2.2 dB @ 2000 MHz
 < 1.0 dB @ 3000 - 5000 MHz
 < 0.7 dB @ 5000 - 18000 MHz

VSWR :
 < 2.2 :1 @ 2000 - 2500 MHz
 < 2.0 :1 @ 2500 - 18000 MHz

Rejection :
 > 50 dB @ DC - 1200 MHz
 > 25 dB @ 1200 - 1880 MHz

Max. Input Power : 2 W CW

Operating Temperature : -40°C to +85°C

Storage Temperature : -55°C to +125°C

Input Connector : SMA Female
Output Connector : SMA Female

Last rev. additional information :							Material : Aluminium		Titre : FILTRE PASSE HAUT 2-18 GHZ - 19 POLES	
							Treatment : Silver plated		Titre : HIGH PASS FILTER 2-18 GHZ - 19 POLES	
							Finish : -		Comment : HPF-SS-1880-25-2000-18000-SF-SF	
							Gen. Tol. : ISO 2768 - mK		Document Number : 800271 1501A	
							Orientation :		Drawn : smellaza	
							Size : A3		Date : 09/11/2020	
							Scale : 3:1			
							Sheet : 1 / 1			
Rev.	Change	Drawn	Date	Check	Date	Approb.	Date			
A	Validation spécifications	S. Mellaza	18/05/2021	A. Le Gouellec	18/05/2021	S. Mellaza	18/05/2021			
-	Datasheet préliminaire	S. Mellaza	19/02/2021	W.Kherraz	22/02/2021					

